

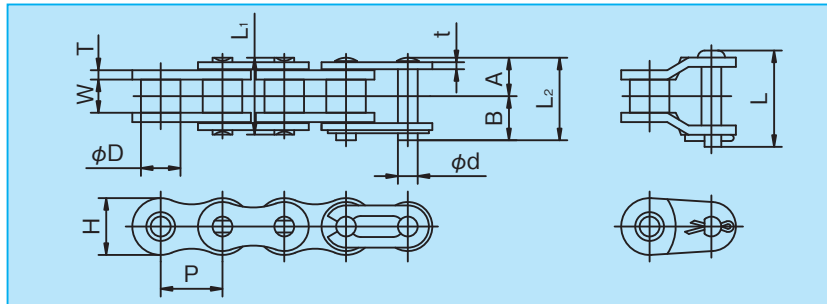
The KCM lubrication-free chain uses special oil-impregnated bushing for self-lubrication, achieving maintenance-free.

Use this chain when no lubrication is required or difficult lubrication in process is expected.

- KCM lubrication-free chain falls into two types: NL and SL.
- NL: Rollers associated for smooth engagement with sprocket
- SL: Thick sintered bushings that impregnate plenty of oil
- Nickel-plated chain and chains associated with various attachments are available.
- Recommended chain speed: 150m/min or slower
- Ordinary operating temperature range of -10°C to +150°C

NL Roller Chains

Choose the optimum model from “Chain Power Transmission Table” on page 32. Do not use “Low Speed-Selection Method” .



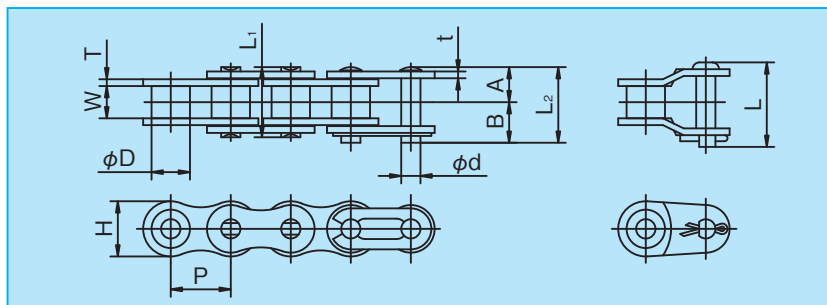
○ Dimensions

[Unit: mm]

KCM Chain No.	Pitch P	Width between Inner Plates W	Roller Dia. D	Pin						Link Plate			Ave. Tensile Strength kN (kgf)	Max. Allowable Load kN (kgf)	Approx. Weight (kg/m)	Links of 1 unit
				Dia. d	A	B	L ₁	L ₂	L	Thickness T	Thickness t	Height H				
KCM 40 NL	12.70	7.95	7.92	3.97	8.60	10.10	17.20	18.70	21.00	2.0	1.5	11.7	18.1 (1,850)	3.63 (370)	0.67	240
KCM 50 NL	15.875	9.53	10.16	5.09	10.60	12.05	21.20	22.65	24.65	2.4	2.0	14.6	29.9 (3,050)	6.37 (650)	1.08	192
KCM 60 NL	19.05	12.70	11.91	5.96	13.50	15.10	27.00	28.60	32.65	3.2	2.4	17.5	41.2 (4,200)	8.83 (900)	1.63	160
KCM 80 NL	25.40	15.88	15.88	7.94	16.90	20.00	33.80	36.90	40.15	4.0	3.2	23.0	72.6 (7,400)	14.7 (1,500)	2.76	120

NOTES: - Pin is longer than that of standard chain because inner plate is thickened. Avoid interference with equipment.
 - In case of single strand chain, standard sprocket can be used. In case of multiple strand chain, exclusive sprocket is required.
 - Maximum allowable load is determined based on tensile breakage, not on strength of bushing.
 - Connecting link of 80NL is of split pin type.

SL Bushing Chains



○ Dimensions

[Unit: mm]

KCM Chain No.	Pitch P	Width between Inner Plates W	Roller Dia. D	Pin						Link Plate			Ave. Tensile Strength kN (kgf)	Max. Allowable Load kN (kgf)	Approx. Weight (kg/m)	Links of 1 unit
				Dia. d	A	B	L ₁	L ₂	L	Thickness T	Thickness t	Height H				
KCM 40 SL	12.70	7.95	7.94	3.97	8.02	9.53	16.05	17.55	18.95	1.5	1.5	11.7	13.2 (1,350)	2.25 (230)	0.58	240
KCM 50 SL	15.875	9.53	10.16	5.09	10.15	11.60	20.30	21.75	23.10	2.0	2.0	14.6	20.6 (2,100)	3.52 (360)	0.97	192
KCM 60 SL	19.05	12.70	11.91	5.96	12.65	14.15	25.30	26.80	29.45	2.4	2.4	17.5	31.4 (3,200)	5.28 (540)	1.41	160
KCM 80 SL	25.40	15.88	15.88	7.94	16.10	19.20	32.15	35.25	36.90	3.2	3.2	23.0	52.5 (5,350)	8.82 (900)	2.40	120

NOTE: Connecting link of 80SL is of split pin type.

Operating Notes to NL and SL Chains

- In dusty environment, there is a possibility that premature wear can occur.
- If the chain is exposed to water, oil impregnated in bushing will come out, thus promoting wear.
- If oil comes out completely from bushing, rapid wear is caused, shortening service life.